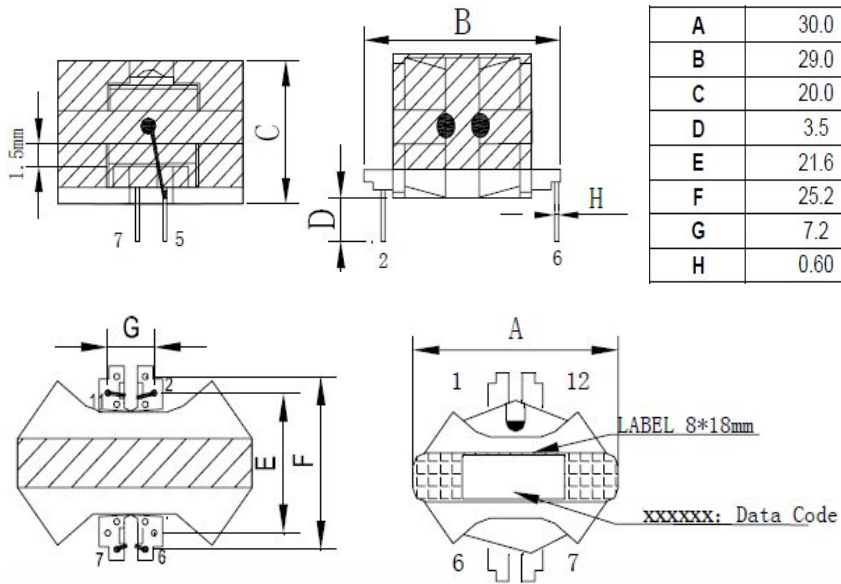
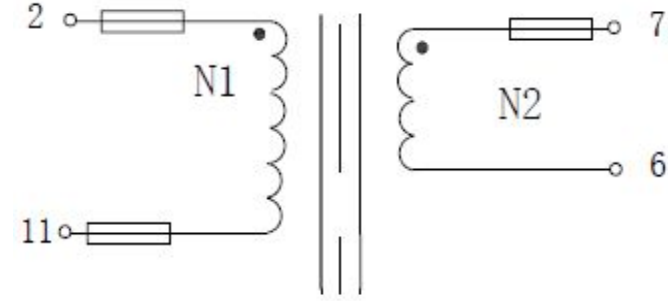


CUSTOMER TERMINAL	ROHS	Lead(Pb)-free
	YES	YES

## 1.Mechanical Dimensions



## 2.Schematic Diagram



## 3.Material List

Core:FW44 RM10

Bobbin:FWB1005(6+6PIN)

Wire:LITZ 2UEW

Copper foil: 0.025t\*8.0mm

Operating Temperature: -30 to115 °C

## 4.Electrical Specification

Inductance :  $L(2-11):530\mu H \pm 5\%$  40KHZ , 1.0V

DCR :  $(11-2)=0.6\Omega$  MAX

Hi-Pot:N1-N2-CORE: AC 60Hz 1000V 1mA 3S

REV.	DATE	<p>Convention Placement</p>	DRW.	Drawing Title: <b>TRANSFORMER</b>	Part No: <b>FWPTRM10V531J</b>
0	00/00		CHK.		
			APP.		
<b>ROHS</b>		<a href="http://www.ferriwo.com">www.ferriwo.com</a>	Customer P/N	Specification Sheet 1of 1	